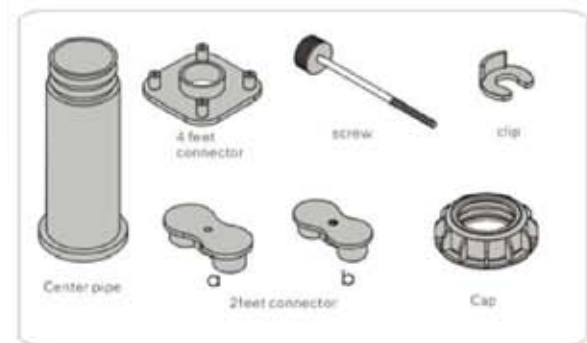
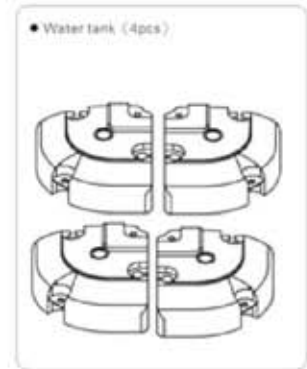
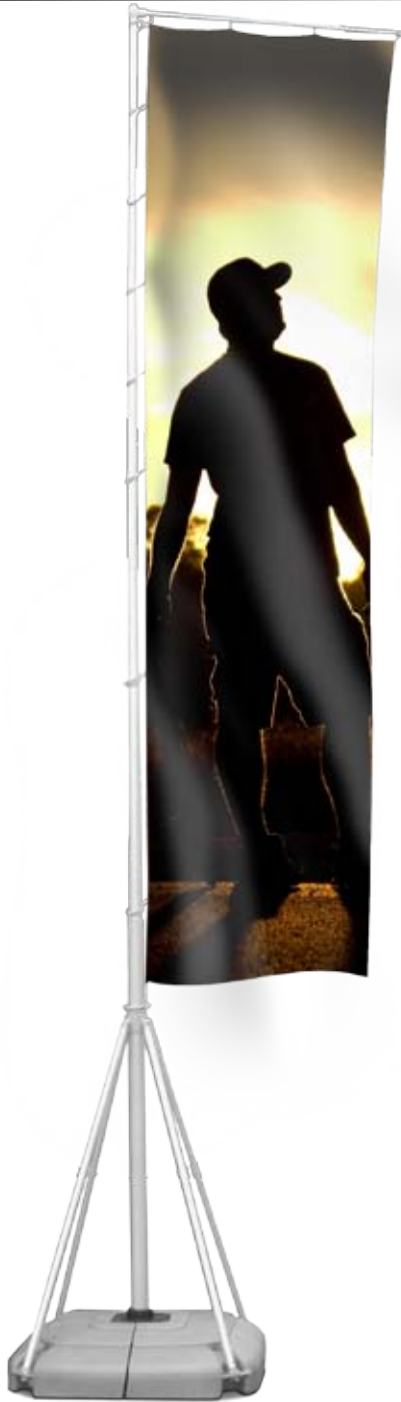


Instructions

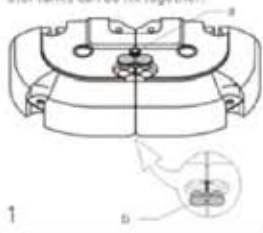
Bejar
Ref: 10.031



Assemble instruction

step1

Take two water tanks side by side, put a 2-foot connector in the top slot and another 2-foot connector in the under slot, then use a screw to lock the two 2-foot connectors, so that the two water tanks can be fix together.



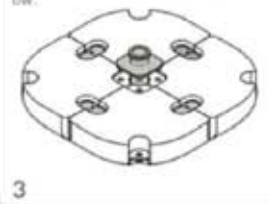
step2

Use the same way like step1 to assemble the rest part, you can see a big water tank come out in seconds.



step3

Overturn the water tank, put a 4-foot connector in the center slot, use a center pipe to connect the 4-foot connector and water tank. Please note that the part of the center connector which covered with screw thread must be up from the water tank, as the picture show.



step4

Turn the water tank back, put the 4-foot connector into the top of the water tank, then cover and tight by cap.



NOTE: CHECK THE SIZES OF IMPRESSION BEFORE THE MOUNT.