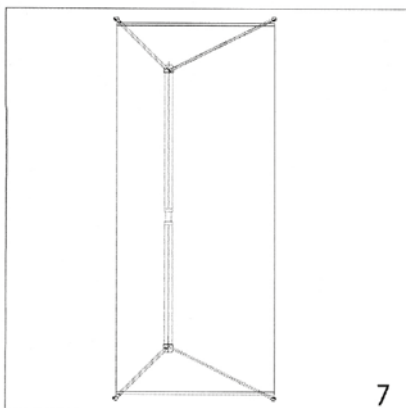
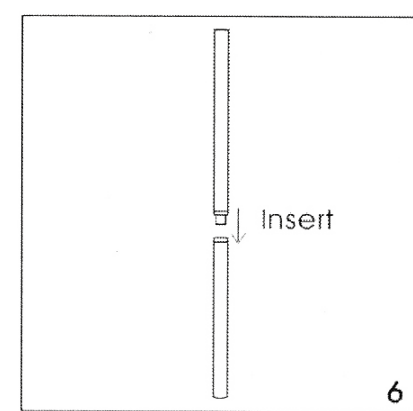
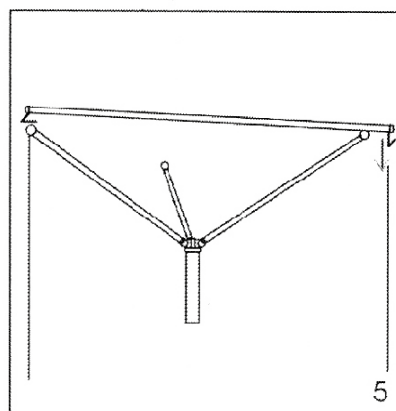
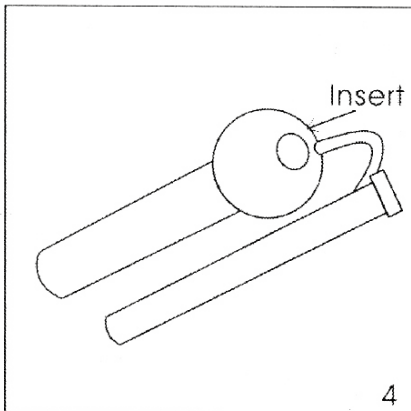
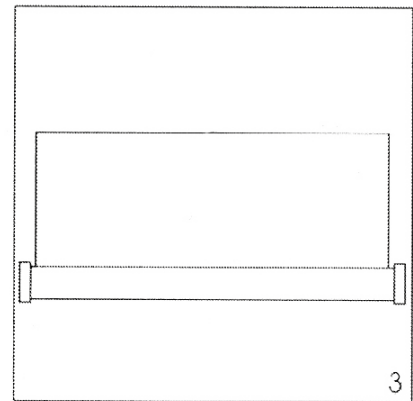
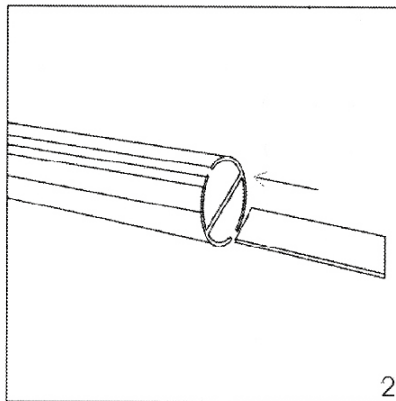
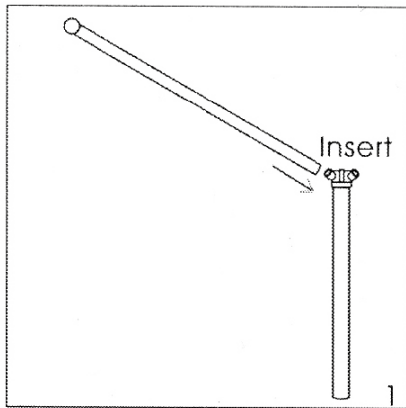


Galende
Ref: 10.012
10.684



Instructions



NOTE: CHECK THE SIZES OF IMPRESSION BEFORE THE MOUNT.