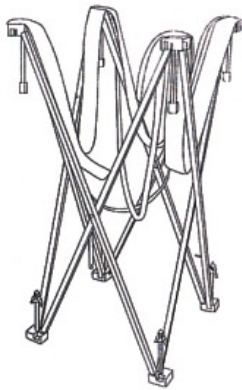
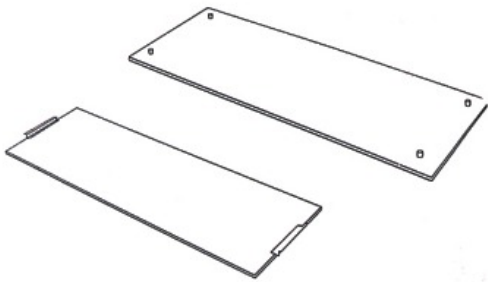
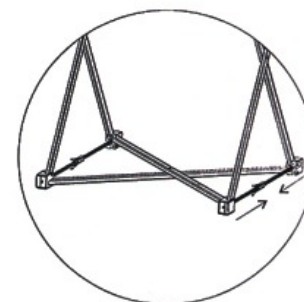
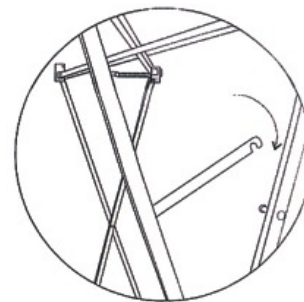
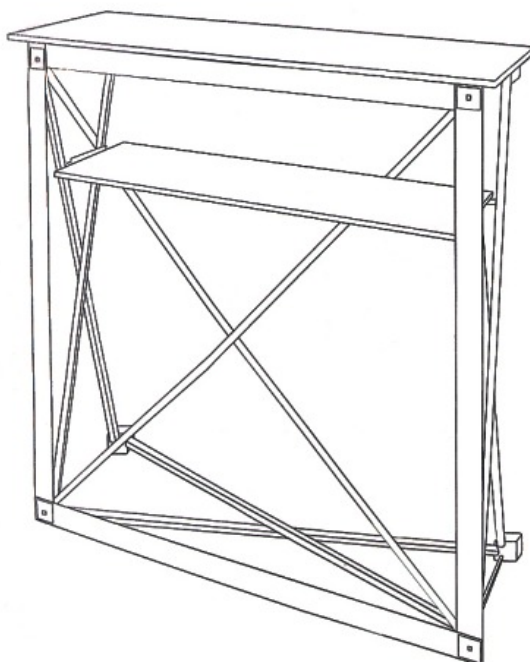


Parts

Villares Ref: 10.096



Instructions



NOTE: CHECK THE SIZES OF IMPRESSION BEFORE THE MOUNT.