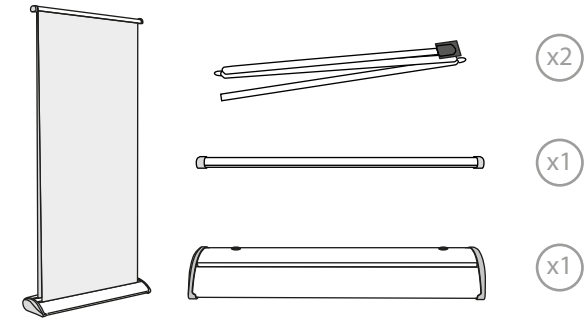


1. GRAPHIC PREPARATION



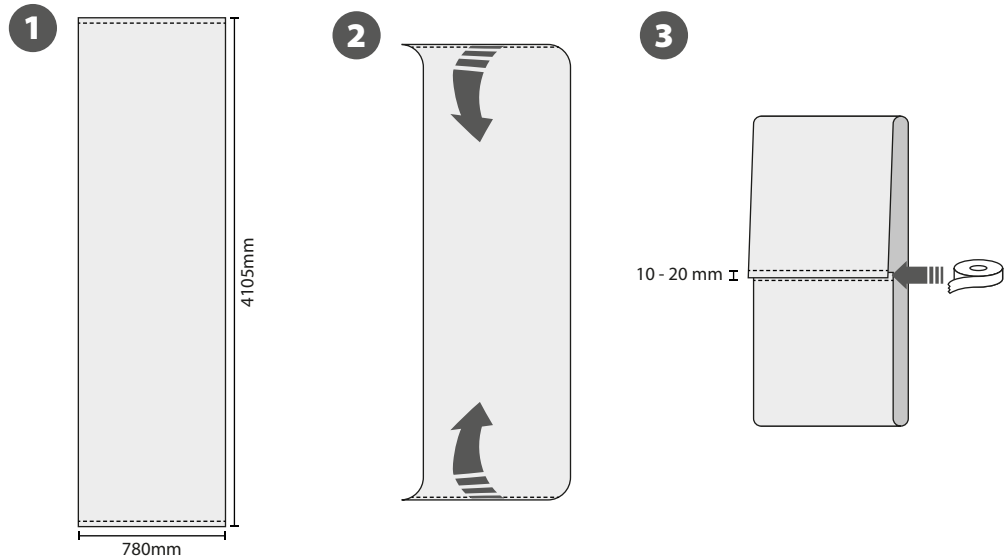
CONTENT



Open the bag, check the content of the bag and take out all the pieces carefully.

To set up Roll Up, you must first prepare its graphic (supplied separately) by following the steps shown below.

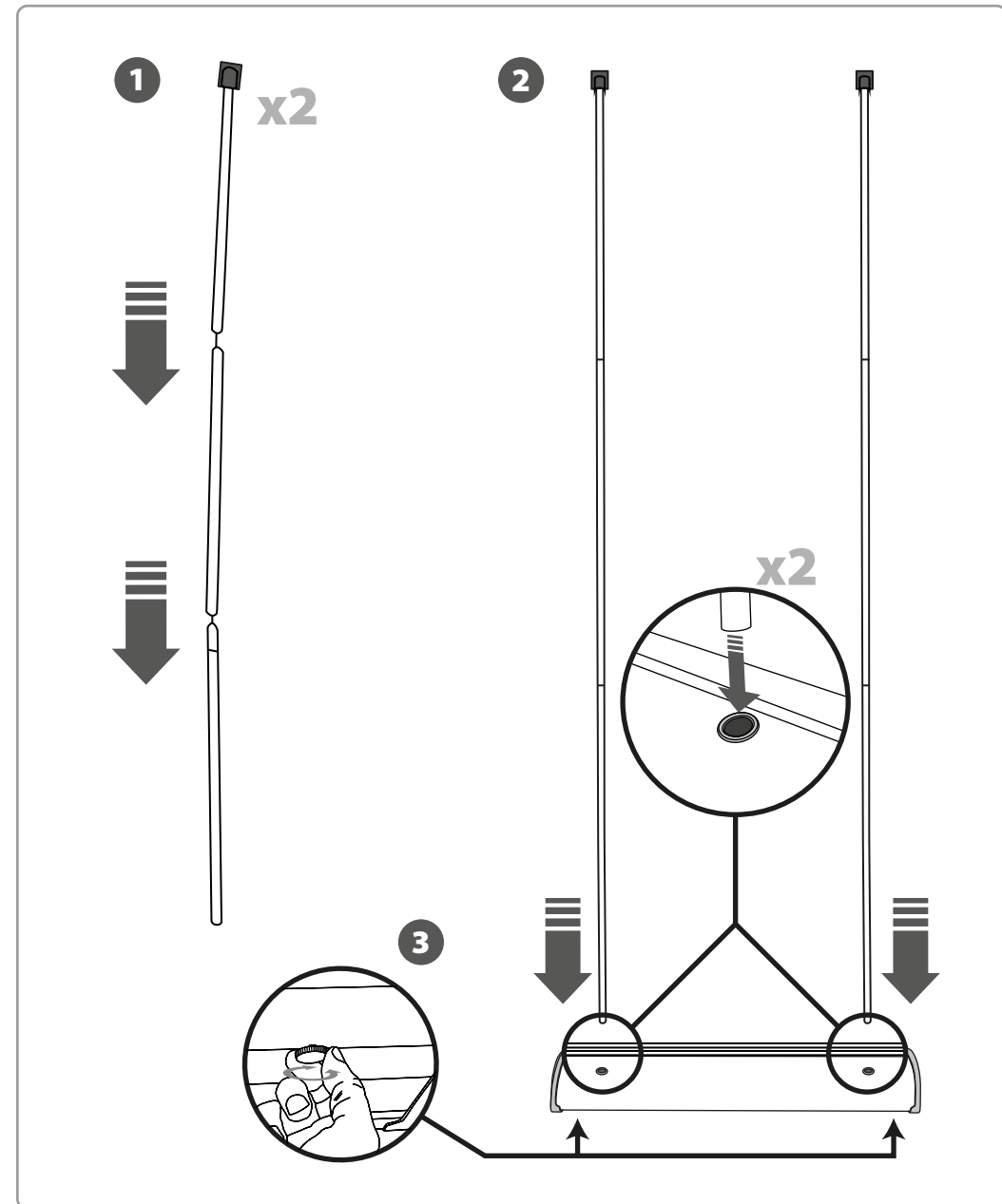
GRAPHIC PREPARATION



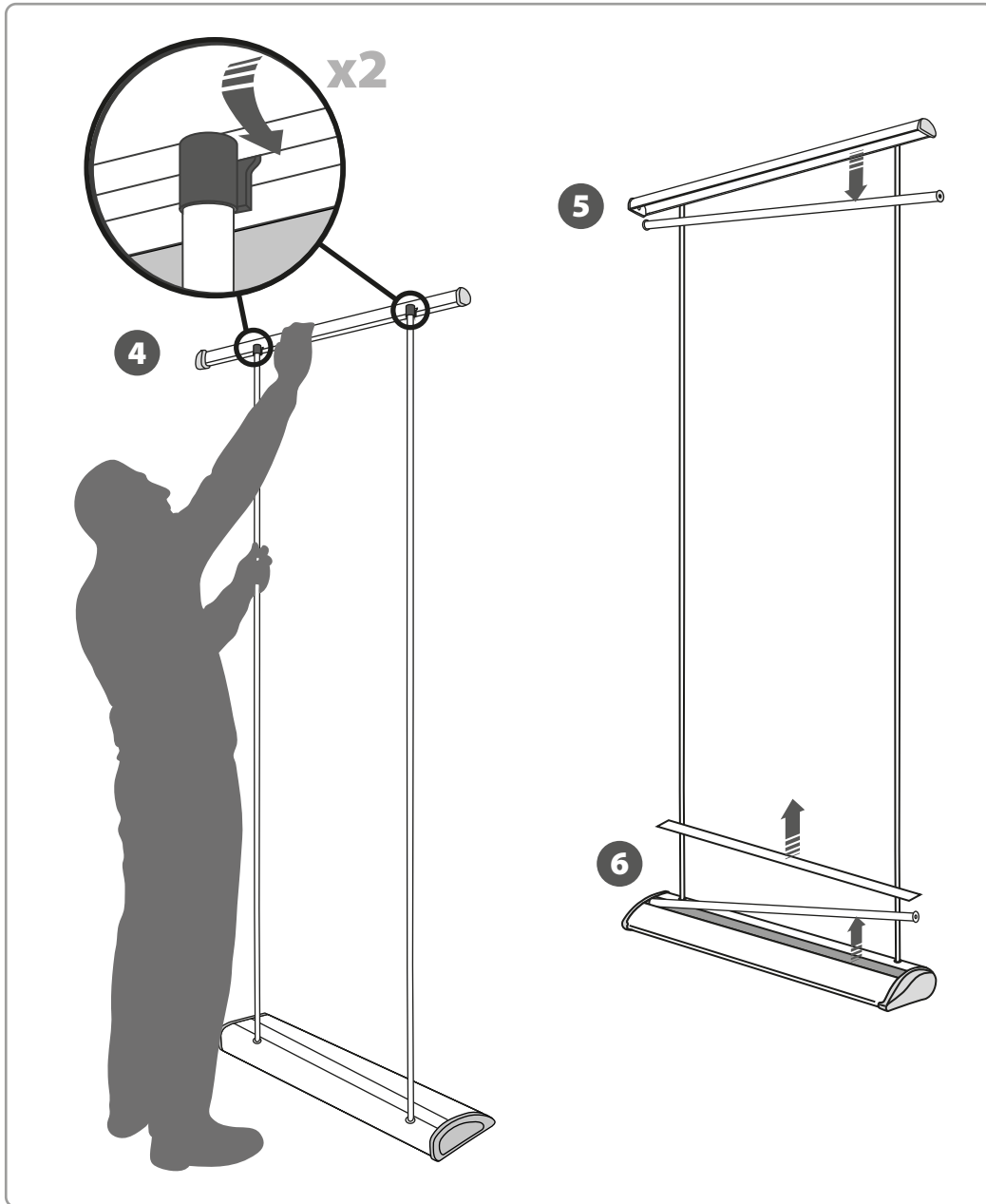
For those cases in which the graphic is **supplied by the client**, we recommend making use of the materials listed in the following **QR code** (scan for downloading Excel file). Please contact us or visit www.cashdisplay.com for more information.



2. SET UP THE ROLL UP STRUCTURE



3. SET UP THE ROLL UP STRUCTURE



4. GRAPHIC ATTACHMENT

